

# ROTARY UNION

## 9000 SERIES

### GENERAL PURPOSE



**MODELS  
ADDED**

#### Operating Parameters

MEDIA
Steam, Hot Oil, Water
PRESSURE*
250 psi (Water), 175 psi (Steam), 100 psi (Hot Oil)
TEMPERATURE*
600° F (Hot Oil), 378° F (Steam)
SPEED*
700 RPM
THREADS
<ul style="list-style-type: none"> <li>• 1/4 Inch to 3 Inch NPT</li> <li>• BSP Threads Available</li> <li>• Flanged</li> </ul>
MATERIAL
<ul style="list-style-type: none"> <li>• Cast Iron Housing with Stainless Steel or Plated Sleeve</li> <li>• Steel Shaft</li> </ul>
CONFIGURATION OPTIONS
Mono Flow and Dual Flow Configurations Available

\* See Performance Charts For Details

#### FEATURES & BENEFITS

##### Advanced Sealing System

- The Bellows Sealing System provides superior sealing performance throughout the wear life of the Rotary Union.

##### Superior Alignment

- Dual bearings available in all sizes over 1 1/4" to provide superior alignment.

##### Resists Debris Build-Up

- Compared to seals utilizing springs, the 9000 series bellows sealing system is more resistant to debris in contaminated media, which reduces clogging.

##### Easy Mounting

- The flange attaches directly to the machine journal, providing inherently concentric mounting, minimizing overhang, and partially relieving bearing load to increase service life.

## Part Numbers - 9000 Series Rotary Unions • Mono Flow

Nominal Pipe Size	Shaft Thread (A)	Right Hand Thread			Left Hand Thread		
		Part Number	Description	Repair Cartridge	Part Number	Description	Repair Cartridge
1/4	1/4 NPT	730432C	R030P	441647C	730431C	L030P	441646C
	9/16-18 MT	730434C	R024P	441647C	730433C	L024P	441648C
3/8	3/8 NPT	730444C	R100P	441659C	730443C	L100P	441658C
	5/8-18 MP	730446C	R100P	441661C	730445C	L124P	441660C
1/2	1/2 NPT	730396C	R200P	441630C	730395C	L200P	441629C
	3/4-16 MT	730402C	R224P	441634C	730401C	L224P	441633C
	7/8-14 MT	730410C	R224P	441636C	730409C	L224P	441635C
	3/4-14 MT	730639C	R224P	441632C	730638C	L224P	441631C
3/4	7/8-16 MT	730641C	R224P	441709C	730640C	L224P	441708C
	3/4 NPT	730332C	R300P	441597C	730331C	L300P	441596C
1	1-14 MT	730338C	R324P	441599C	730337C	L324P	441598C
	1 NPT	730303C	R400P	441579C	730302C	L400P	441578C
1-1/4	1-1/4-12 MT	730309C	R424P	441581C	730308C	L424P	441580C
	1-1/4 NPT	440320C	R9500P	471460C	440319C	L9500P	471459C
	1-5/8-8 MT	440326C	R9524P-3	471462C	440325C	L9524P-3	471461C
	1-5/8-12 MT	440324C	R9524P-2	471464C	440323C	L9524P-2	471463C
1-1/2	1-1/2 NPT	440144C	R9600P	471364C	440143C	L9600P	471363C
	2-8 MT	440148C	R9624P-3	471368C	440147C	L9624P-3	471367C
	2-12 MT	440152C	R9624P-2	471374C	440151C	L96240P-2	471373C
2	2 NPT	440465C	R97004P	471554C	440464C	L9700P	471553C
2-1/2	2-1/2 NPT	440535C	R9800P	471556C	440534C	L9800P	471555C
3	3 NPT	440493C	R9900P	471558C	440492C	L9900P	471557C
	3-1/2-8 MT	440499C	R9924P-3	471644C	440498C	L9924P-3	471643C

## Part Numbers - 9000 Series Rotary Unions • Dual Flow

Nominal Pipe Size	Shaft Thread (A)	Right Hand Thread			Left Hand Thread		
		Part Number	Description	Repair Cartridge	Part Number	Description	Repair Cartridge
1/2	1/2 NPT	730398C	R200S	441630C	730397C	L200S	441629C
	3/4-16 MT	730404C	R224S	441634C	730403C	L224S	441633C
	7/8-14 MT	730412C	R224S	441636C	730411C	L224S	441635C
3/4	3/4 NPT	730334C	R300S	441597C	730333C	L300S	441596C
	1-14 MT	730340C	R324S	441599C	730339C	L324S	441598C
1	1 NPT	730305C	R400S	441579C	730304C	L400S	441578C
	1-1/4-12 MT	730311C	R424S	441581C	730310C	L424S	441580C
1-1/4	1-1/4 NPT	440322C	R9500S	471460C	440321C	L9500S	471459C
	1-5/8-8 MT	440330C	R9524S-3	471462C	440329C	L9524S-3	471461C
	1-5/8-12 MT	440328C	R9524S-2	471464C	440327C	L9524S-2	471463C
1-1/2	1-1/2 NPT	440146C	R9600S	471364C	440145C	L9600S	471363C
	2-8 MT	440150C	R9624S-3	471368C	440149C	L9624S-3	471367C
	2-12 MT	440154C	R9624S-2	471374C	440153C	L96240S-2	471373C
2	2 NPT	440467C	R9700S	471554C	440466C	L9700S	471553C
2-1/2	2-1/2 NPT	440575C	R9800S	471556C	440574C	L9800S	471555C
3	3 NPT	440495C	R9900S	471558C	440494C	L9900S	471557C

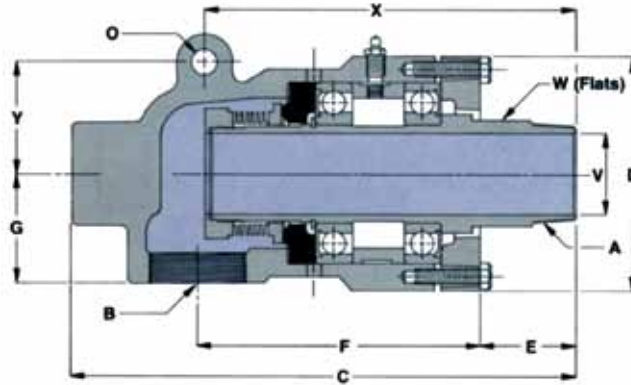
## Part Numbers - 9000 Series Rotary Unions • Dual Flow Rotating Siphon

Nominal Pipe Size	Shaft Thread (A)	Right Hand Thread			Left Hand Thread		
		Part Number	Description	Repair Cartridge	Part Number	Description	Repair Cartridge
1/2	1/2 NPT	730400C	R225-4	441630C	730399C	L225-4	441629C
	3/4-14	730406C	XR225-4	441632C	730405C	XL225-4	441631C
	3/4-16	730408C	XR225-4	441634C	730407C	XL225-4	441633C
	7/8-14	730414C	XR225-4	441636C	730413C	XL225-4	441635C
	7/8-16	730644C	XR225-4	441709C	730643C	XL225-4	441708C
3/4	3/4-14	730336C	R325-2	441597C	730335C	L325-2	441596C
	1-14	730342C	XR325-2	441599C	730341C	XL325-2	441598C
1	1 NPT	730307C	R425-10	441579C	730306C	L425-10	441578C
	1-1/2-12	730315C	XR425-10	441583C	730314C	XL425-10	441582C
	1-1/4-12	730313C	XR425-10	441581C	730312C	XL425-10	441580C
1-1/4	1-1/4 NPT	440334C	R9525-20	471460C	440333C	L9525-20	471459C
	1-5/8-12 MT	440336C	XR9525-20	471464C	440335C	XL9525-20	471463C
1-1/2	1-1/2 NPT	440251C	R9625-30	471364C	440250C	L9625-30	471363C
	2-12 MT	440438C	XR9625-30	471374C	440437C	XL9625-30	471373C
	2-8 MT	440449C	XR9625-30	471368C	440448C	XL9625-30	471367C
2	2 NPT	440475C	R9725-30	471554C	440474C	L9725-30	471553C
2-1/2	2-1/2 NPT	440585C	R9825-40	471556C	440584C	L9825-40	471555C
3	3 NPT	440587C	R9925-50	471558C	440586C	L9925-50	471557C

# ROTARY UNION

## 9000 SERIES

GENERAL PURPOSE

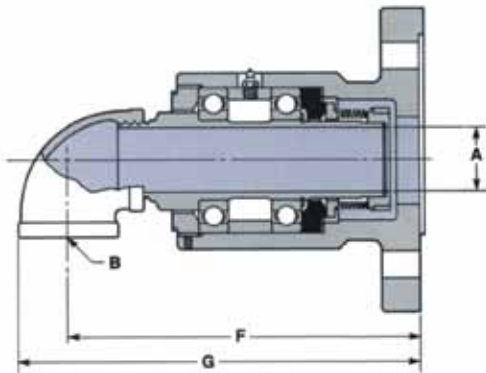


### Dimensions - 9000 Series Rotary Unions • Mono Flow (Inch)

Nominal Pipe Size	Thread (A)	Inlet B (NPT)	C	D	E	F	G	V	W	O	Y	X
1/4	1/4 NPT	1/4	4-3/8	1-3/4	1-1/8	2-9/16	1-1/16	1/4	5/8	—	—	—
	9/16-18 MT											
	5/8-18 MT											
3/8	3/8 NPT	3/8	4-3/8	1-3/4	1-1/8	2-9/16	1-1/16	3/8	11/16	—	—	—
	5/8-18 MT											
1/2	1/2 NPT	1/2	5	2-3/8	1-1/2	2-3/4	1-1/4	1/2	15/16	—	—	—
	3/4-16 MT											
	7/8-14 MT											
	3/4-14 MT											
3/4	3/4 NPT	3/4	5-1/2	2-1/2	1-5/8	3	1-7/16	3/4	1-3/4	—	—	—
	1-14 MT											
1	1 NPT	1	6-1/8	3	1-3/4	3-3/8	1-3/4	1	1-11/32	—	—	—
	1-1/4-12 MT											
1-1/4	1-1/4 NPT	1-1/4	9-1/16	3-3/4	2-1/16	4-13/16	2-3/16	1-1/4	1-11/16	5/8	2	6-7/8
	1-5/8-8 MT		8-15/16		1-15/16							6-3/4
	1-5/8-12 MT											
1-1/2	1-1/2 NPT	1-1/2	9-11/16	4/18	2-3/16	5-1/4	2-3/16	1-1/2	1-15/16	5/8	2-1/4	7-3/4
	2-8 MT		10-1/4		2-3/4							7-15/16
	2-12 MT											
2	2 NPT	2	11-3/4	5-7/8	2-7/16	6-7/8	2-5/8	2	2-9/16	5/8	2-3/4	8-9/16
2-1/2	2-1/2 NPT	2-1/2	13-7/8	6-1/2	3-1/2	7-3/16	3-3/8	2-1/2	3	—	—	—
	3 NPT		15-3/8	7-1/8	3-1/2	8-5/16	3-7/8	3	3-5/8	—	—	—
3	3 NPT	3	15-3/8	7-1/8	3-1/2	8-5/16	3-7/8	3	3-5/8	—	—	—
	3-1/2-8 MT		15-3/4		3-7/8					—	—	—

### Dimensions - Mono Flow (Inch) • Flanged

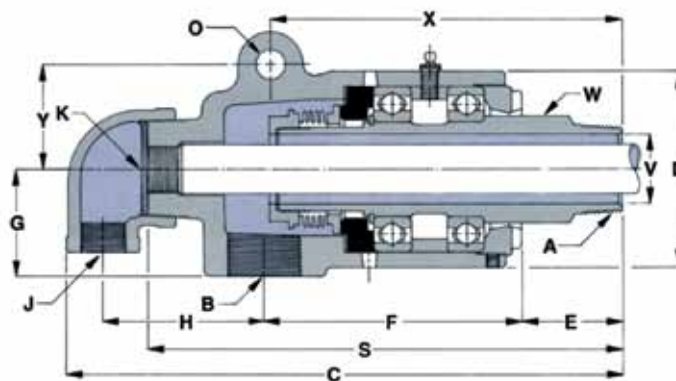
Nominal Pipe Size	Shaft ID (A)	Part Number	Description	Repair Cartridge
1-1/4	1-1/4	Consult Factory	570P-1-U	Consult Factory
1-1/2	1-1/2		670P-1-U	
2	2		770P-1-U	
2-1/2	2-3/8		870P-1-U	
3	2-7/8		970P-1-U	
4	4	1070-P-U		
5	5	1170-P-U		



  
Models Added

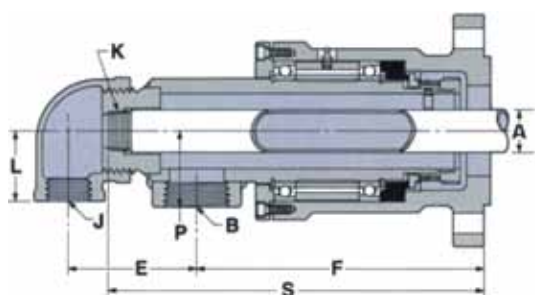
### Dimensions - Mono Flow (Inch) • Flanged

Nominal Pipe Size	Inlet (B)	F	G
1-1/4	1-1/4 NPT	8-7/16	9-1/2
1-1/2	1-1/2 NPT	8-13/16	10-1/8
2	2 NPT	10-5/8	12-1/16
2-1/2	2-1/2 NPT	12	13-13/16
3	3 NPT	14-1/16	16-1/4
4	4 Flange	438 mm	Consult Factory
5	5 Flange	545 mm	



**Dimensions - 9000 Series Rotary Unions • Dual Flow • Stationary Siphon Pipe (Inch)**

Nominal Pipe Size	Shaft Thread (A)	Inlet (B)	Outlet (J)	Siphon K (NPSM)	C	D	E	F	G	H	S	V	W	O	Y	X
1/2	1/2 NPT	1/2	1/2	1/8	7-1/4	2-3/8	1-1/2	2-3/4	1-1/4	2-1/8	6	1/2	15/16	—	—	—
	3/4-16 MT															
	7/8-14 MT															
3/4	3/4 NPT	3/4	1/2	1/4	7-3/4	2-1/2	1-5/8	3	1-7/16	2-3/8	6-3/8	3/4	1-1/8	—	—	—
	1-14 MT															
1	1 NPT	1	1/2	3/8	8-1/2	3	1-3/4	3-3/8	1-3/4	2-5/8	7-1/8	1	1-3/8	—	—	—
1-1/4	1-1/4 NPT	1-1/4	1/2	1/2	10-5/8	3-3/4	2-1/8	4-13/16	2	—	8-7/8	1-1/4	1-11/16	5/8	2	6-3/4
	1-5/8-8 MT				10-7/8		8-3/4									
	1-5/8-12 MT				11-3/8		9-9/16									
1-1/2	1-1/2 NPT	1-1/2	3/4	3/4	11-15/16	4-1/8	2-3/16	5-1/4	2-3/16	—	9-9/16	1-1/2	1-15/16	5/8	2-1/4	7-3/8
	2-8 MT				11-15/16		10-1/8				7-15/16					
	2-12 MT				13-7/8		2-7/16				6-1/2					2-5/8
2-1/2	2-1/2 NPT	2	1	1	16-7/8	6-1/2	3-1/2	7-1/4	3-3/8	—	14	2-1/2	3	—	—	—
3	3 NPT	2-1/2	1-1/4	1-1/4	18-3/4	7-1/8	3-1/2	8-5/16	3-7/8	—	15-5/8	3	3-5/8	—	—	—



**Dimensions - Dual Flow • Flanged • Stationary Siphon Pipe (Inch)**

Nominal Pipe Size	Shaft ID (A)	Part Number	Description	Repair Cartridge
1-1/4	1-1/4	Consult Factory	570S-1-U	Consult Factory
1-1/2	1-1/2		670S-1-U	
2	2		770S-1-U	
2-1/2	2-3/8		870S-1-U	
3	2-7/8		970S-1-U	
4	4		1070-S-U	
5	5		1170-S-U	

Models Added

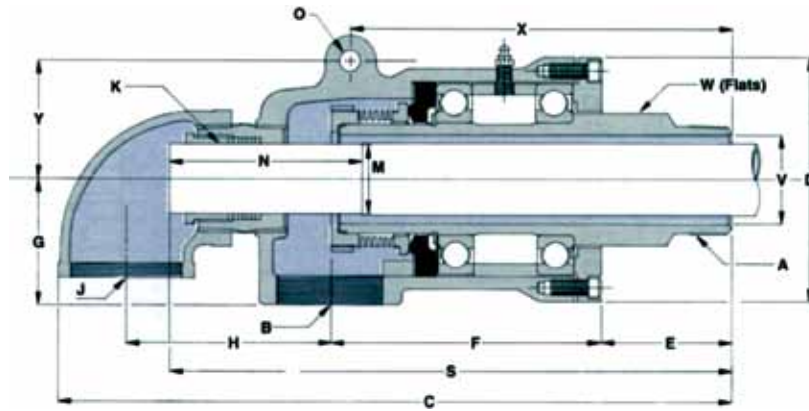
**Dimensions - Dual Flow • Flanged • Stationary Siphon Pipe (Inch)**

Nominal Pipe Size	Inlet B (NPT)	Outlet J (NPT)	Siphon Tap K (NPSM)	E	F	S	L	P
1-1/4	1	1/2	1/2	2-3/4	7-1/16	8-7/8	1-5/8	1-5/8
1-1/2	1-1/4	3/4	3/4	3-3/8	7-11/16	9-15/16	1-13/16	1-13/16
2	1-1/2	1	3/4	3-13/16	9-1/16	11-1/2	2-1/16	2-1/16
2-1/2	2	1-1/4	1	4-3/4	10-5/16	13-9/16	2-5/8	2-5/8
3	2-1/2	1-1/4	1-1/4	5-1/4	11-7/8	15-1/2	2-7/8	3-1/16
4	Consult Factory			—	—	—	—	—
5	Consult Factory			—	—	—	—	—

# ROTARY UNION

## 9000 SERIES

GENERAL PURPOSE

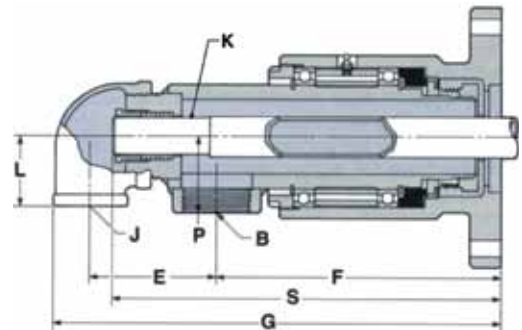


### Dimensions - 9000 Series Rotary Unions • Dual Flow Rotating Siphon (Inch)

Nominal Pipe Size	Shaft Thread (A)	Inlet (B)	Outlet (J)	Siphon (K)	C	D	E	F	G	H	M	N	O	S	V	W	X	Y
1/2	1/2 NPT	1/2	1/2	1/4 Tube	7-1/4	2-3/8	1-1/2	2-3/4	1-1/4	2-1/8	0.249 to 0.252	1-5/8	—	6-1/4	1/2	15/16	—	—
	3/4-14 MT																	
	3/4-16 MT																	
	7/8-14 MT																	
3/4	7/8-16 MT	3/4	1/2	1/4 Pipe	7-3/4	2-1/2	1-5/8	3	1-7/16	2-3/4	0.522 to 0.528	1-3/4	—	6-13/16	3/4	1-1/8	—	—
	3/4 NPT																	
1	1-14 MT	1	1/2	3/8 Pipe	8-1/2	3	1-3/4	3-3/8	1-3/4	2-5/8	0.657 to 0.663	2	—	7-11/16	1	1-3/8	—	—
	1 NPT																	
1-1/4	1-1/4 NPT	1-1/4	1/2	1/2 Pipe	10-5/8	3-3/4	2-1/8	4-13/16	2	3	0.803 to 0.808	3	5/8	9-7/16	1-1/4	1-11/16	6-7/8	2
	1-5/8-12 MT				10-1/2		2							9-5/16			6-3/4	
1-1/2	1-1/2 NPT	1-1/2	3/4	3/4 Pipe	11-3/8	4-1/8	2-3/16	5-1/4	2-3/16	3-1/4	0.991 to 0.997	3-1/4	5/8	10-1/8	1-1/2	1-15/16	7-3/8	2-1/4
	2-12 MT				11-15/16		2-3/4							10-3/4			7-15/16	
	2-8 MT				11-15/16		2-3/4							10-3/4			7-15/16	
2	2 NPT	2	1	3/4 Pipe	13-7/8	5-7/8	2-7/16	6-1/2	2-5/8	4-1/16	0.991 to 0.997	3-1/4	5/8	12-1/8	2	2-9/16	8-9/16	2-3/4
2-1/2	2-1/2 NPT	2	1-1/4	1 Pipe	16-7/8	6-1/2	3-1/2	7-1/4	3-3/8	5	1.241 to 1.247	3-3/4	—	14-11/16	2-1/2	3	—	—
3	3 NPT	2-1/2	1-1/4	1-1/4 Pipe	18-3/4	7-1/8	3-1/2	8-5/16	3-7/8	5-1/2	1.615 to 1.621	4-1/4	—	16-3/8	3	3-5/8	—	—

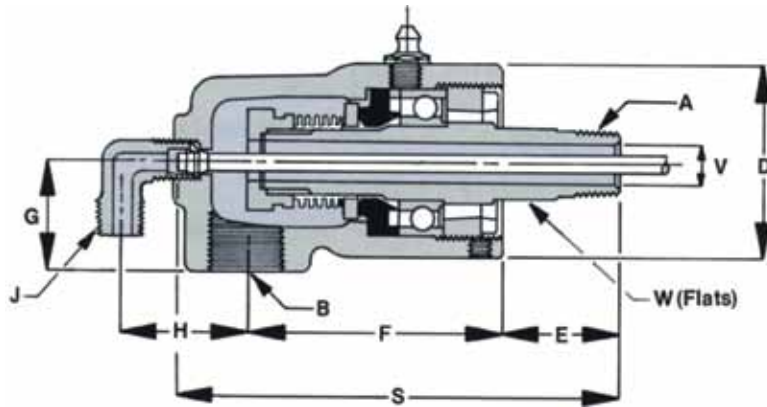
### Dimensions - Dual Flow • Flanged (Inch)

Nominal Pipe Size	Shaft ID (A)	Part Number	Description	Repair Cartridge
1-1/4	1-1/4	Consult Factory	587-20-U	Consult Factory
1-1/2	1-1/2		687-30-U	
2	2		787-30-U	
2-1/2	2-3/8		887-40-U	
3	2-7/8		987-50-U	
4	4		—	
5	5		—	



### Dimensions - Dual Flow • Flanged • Rotating Siphon Pipe (Inch)

Nominal Pipe Size	Inlet B (NPT)	Outlet J (NPT)	Siphon Diameter	E	F	G	L	P	S
1-1/4	1	1/2	Siphon not provided. Contact factory for information	2-3/4	7-1/16	10-5/16	1-5/8	1-5/8	9-1/2
1-1/2	1-1/4	3/4		3-3/8	7-11/16	11-13/16	1-13/16	1-7/8	10-3/4
2	1-1/2	1		3-13/16	9-1/16	14	2-1/16	2-5/16	12-1/4
2-1/2	2	1-1/4		4-3/4	10-5/16	16-5/16	2-5/8	2-5/8	14-1/4
3	2-1/2	1-1/4		5-1/4	11-7/8	18-3/4	2-7/8	3-1/16	16-1/4
4	Consult Factory			—	—	—	—	—	—
5	Consult Factory			—	—	—	—	—	—



**Part Numbers - Dual Flow • Compression Fitting Siphon**

Nominal Pipe Size	Shaft Thread (A)	Thread Rotation	Right Hand			Left Hand		
			Part Number	Description	Repair Cartridge	Part Number	Description	Repair Cartridge
1/4	1/4 NPT	RH	730779C	R019-2	441647	730778	L019-2	441646
			730781C	R019-3	441647	730780	L019-3	441646
3/8	3/8 NPT		730787C	R119-2	441659	730786	L119-2	441658
			730783C	R119-3	441659	730782	L119-3	441658
1/2	1/2 NPT		730800C	R219-6	441630	730799	L219-6	441629
3/4	3/4 NPT		730804C	R319-8	441597	730803	L319-8	441596
1	1 NPT		730429C	R419-10	441579	730428	L419-10	441578

 Models Added

**Dimensions - Dual Flow • Compression Fitting Siphon (Inch)**

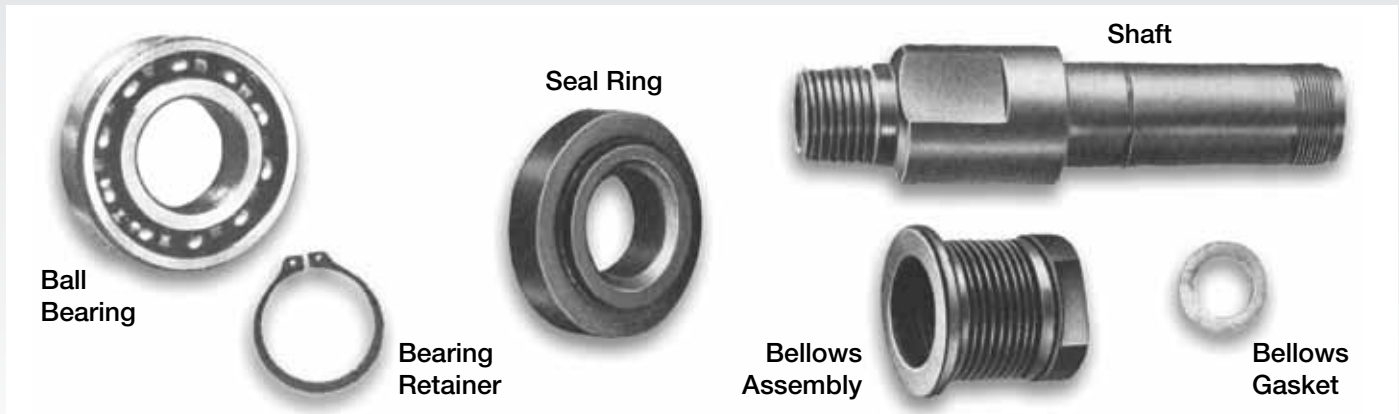
Nominal Pipe Size	Thread A (NPT)	Inlet B (NPT)	Outlet J	Siphon Tube Size	D	E	F	G	V	W	S	H
1/4	1/4	1/4	1/8 Male	1/8	1-3/4	1-1/8	2-9/16	1-1/16	1/4	5/8	4-7/16	1-1/4
				3/16								
3/8	3/8	3/8	1/8 Male	1/8	1-3/4	1-1/8	2-9/16	1-1/16	3/8	11/16	4-7/16	1-1/4
				3/16								
1/2	1/2	1/2	1/2 NPT	3/8	2-3/8	1-1/2	2-3/4	1-1/4	1/2	15/16	6-3/8	2-1/8
3/4	3/4	1/2	1/2 NPT	1/2	2-1/2	1-5/8	3	1-7/16	3/4	1-1/8	6-7/8	5-5/16
1	1	1	3/4 NPT	5/8	3	1-3/4	3-3/8	1-3/4	1	1-3/8	7-3/4	2-9/16



# ROTARY UNION

## 9000 SERIES

### REPAIR PARTS



### Repair Parts - 9000 Series Rotary Union

Nominal Pipe Size	Thread Rotation	Shaft		Ball Bearing	Bearing Retainer	Seal Ring	Bellows Gasket	Bellows Assembly	Housing Gasket
		Shaft Thread (A)	Part Number						
1/4	LH	1/4 NPT	463474C	482020C	847022C	463472C	482033C	481010C	482026C
	RH		463475C						
	LH	9/16-18 MT	463476C						
	RH		463477C						
	LH	5/8-18 MT	463478C						
3/8	RH		463479C						
	LH	3/8 NPT	463484C	482020C	847022C	436472C	482033C	481010C	482026C
	RH		463485C						
	LH	5/8-18 MT	463486C						
	RH		463487C						
1/2	LH	1/2 NPT	463428C	482076C	854744C	463426C	482090C	481018C	482083C
	RH		463429C						
	LH	3/4-16 MT	463436C						
	RH		463437C						
	LH	7/8-14 MT	463430C						
	RH		463431C						
	LH	3/4-14 MT	463434C						
	RH		463435C						
	LH	7/8-16 MT	463432C						
3/4	RH		463433C						
	LH	3/4 NPT	463291C	482134C	844654C	463287C	482148C	481035C	482141C
	RH		463292C						
	LH	1-14 MT	463293C						
	RH		463294C						
1	LH	1 NPT	463265C	482188C	844341C	463264C	482201C	481048C	482195C
	RH		463266C						
	LH	1-1/4-12 MT	463277C						
	RH		463278C						
1-1/4	LH	1-1/4 NPT	485070C	482241C	854753C	482246C	482255C	481062C	482248C
	RH		485071C						
	LH	1-5/8-8 MT	485086C						
	RH		485087C						
	LH	1-5/8-12 MT	485084C						
1-1/2	RH		485085C						
	LH	1-1/2 NPT	483951C	482303C	863095C	482308C	482316C	481073C	482310C
	RH		483952C						
	LH	2-8 MT	483953C						
	RH		483954C						
	LH	2-12 MT	483955C						
2	RH		483956C						
	LH	2 NPT	485181C	482362C	854757C	482786C	482788C	481247C	482787C
	RH		485182C						
2-1/2	LH	2-1/2 NPT	485256C	482809C	854762C	482811C	482813C	481268C	482812C
	RH		485257C						
3	LH	3 NPT	485155C	482839C	854766C	482841C	482843C	481289C	482842C
	RH		485156C						
	LH	3-1/2-8 MT	485199C						
	RH		485200C						
	LH	3-1/2-12 MT	485189C						
	RH		485198C						

Performance Charts

